



513-271-0624
hjackson@middcities.com
www.middcities.com

Strategically
located
five miles from
I-75 between
Cincinnati and
Dayton, Ohio

Midd Cities Industrial Park—Building 1

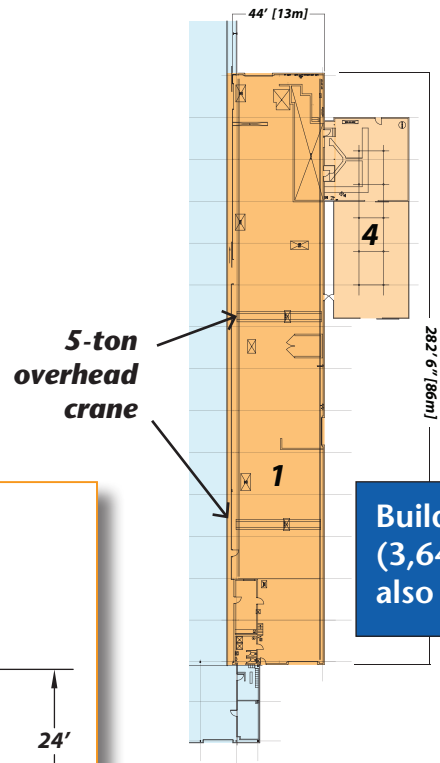
2601 South Verity Parkway, Middletown, Ohio 45044



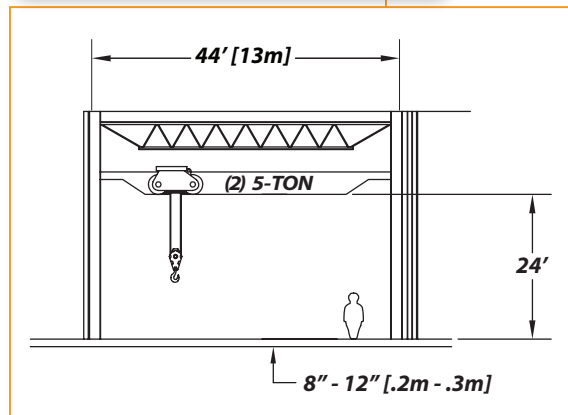
Building 1 Features

- Available: 12,540 SF
- Length: 282' 6"
- Width: 44'
- Eave Height: 30'
- Clear Height: 24'
- Crane Hook Height: 18'
- Heat: Gas/Air Rotation Systems
- Floor Depth: Varies 8"-12"
- 2 Drive-in Doors | Docks
- Offices are Included
- Crane Service: Two 5-Ton Cranes
- Outdoor Storage Available
- Also Available:
Building 4 (3,640 SF)

Building 1 12,540 SF (1,165M²)



Building 4
(3,640 SF) is
also available.



Building 1

Call Howard Jackson for more information – 513-271-0624 or hjackson@middcities.com